

OIL STORAGE AND THE LAW.*

To help protect the environment, the government has introduced tough new Regulations which make pollution from leaking oil tanks an even bigger and more expensive problem.

WILL THIS LEGISLATION AFFECT YOU?

Yes, if you store more than 200 litres of oil above ground at an industrial, commercial or institutional site, or 3500 litres at a domestic installation.

WHEN DOES IT COME INTO FORCE?

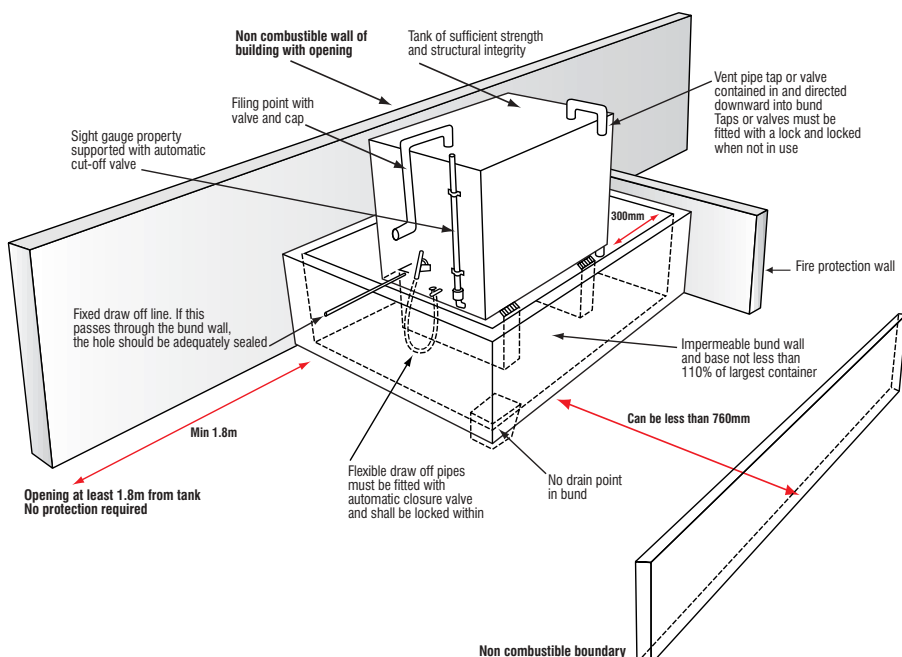
The Control of Pollution (Oil Storage) Regulations 2001 applies to new oil store installations (since March 2002) and also oil stores 'at significant risk' (due to age or position) from 1st September 2003. The Regulations will apply to all oil store installations from the 1st September 2005.

WHAT ARE THE PENALTIES?

Failure to comply with the Regulations is a criminal offence.

Fines and clean up costs can run into many thousands of pounds, and in the worst cases, prison sentences may be given.†

In the end prevention is better than cure. Oil is not an environmentally friendly product, so it needs to be stored at least as carefully as the Regulations demand. Alternatively, you could consider other forms of fuel which are less hazardous to the environment, and so do not carry the same weight of environmental legislation.



*Control of Pollution (Oil Storage) Regulations 2001

†Water Resources Act 1991 Part III - Control of Pollution of Water Resources.

WHAT ARE THE REGULATIONS?

The full details of the Regulations can be obtained from DEFRA (Department of Environment, Food and Rural Affairs) or the Environment Agency, but here are some of the key requirements:

- Tanks, drums or other containers must be strong enough to hold the oil without leaking or bursting.
- There must be a 'bund' (or drip tray) to catch any leaks from the container or its pipework and equipment.
- The bund must be large enough to contain 110% of the maximum contents of the oil container.
- The bund base and wall must be impermeable to water and oil. They must be checked regularly for leaks.
- No rainwater drainage valve may be fitted to the bund.
- Above ground pipework must be adequately supported, and underground pipes should be protected from damage and have leakage detection.
- It is the responsibility of the property owner to ensure the oil store installation meets the Regulations and is checked regularly.

Source: Department of Environment, Food and Rural Affairs "Oil Storage Regulations"



LPG. THE LOGICAL ALTERNATIVE.

Calor is the UK's No.1 supplier of LPG with over 70 years experience in supplying businesses and institutions with a highly versatile and effective fuel backed by complete peace of mind.

When Calor installs a fuel tank at your premises, they take total responsibility for the tank and installation. That includes full installation by trained personnel, scheduled maintenance, fuel deliveries and all liability in the case of any failure or accidental damage by Calor.

All the customer pays is a fixed rental. Calor take all responsibility for installation, maintenance and safety of the Calor LPG storage tank.

THE GREENER FUEL.

There's never been a better time for changing to LPG supplied by Calor. With increasing government legislation designed to protect the environment, it is often the business or institution which has to bear the cost of improved protection measures, insurance and clean up costs. This can run into tens of thousands of pounds.

With Calor, the customer passes over all responsibility for environmental costs. Plus they're also switching to a fuel with unrivalled green credentials. Check out the table below and you'll see that LPG comes out top in the green league, reducing both CO₂ and carbon emissions.

CO₂ AND CARBON EMISSIONS* FOR COMMON HEATING FUELS IN BUILDINGS

Emissions	kg CO ₂ /kWh	kg carbon/kWh
LPG	0.19	0.052
Oil	0.26	0.071
Solid Fuel	0.30	0.082
Electricity	0.44	0.12

Source: DETR Environmental Reporting Guidelines, June 1999.

FIND OUT MORE ABOUT CALOR LPG AND WHAT IT CAN DO FOR BUSINESS, CALL US ON 0800 216659 OR VISIT WWW.CALOR.CO.UK EMAIL: ENQUIRIES@CALOR.CO.UK (QUOTING REF: COMOIL04)

Sources of information. Environment Agency. Pollution Prevention Guidelines - Above Ground Oil Storage Tanks PPG2 published 09/01



BEST FOR HEATING.

- Much lower installation costs compared with oil, and Calor take all responsibility for installation, maintenance and safety of the tank.
- LPG is a versatile fuel that can be used for central heating, catering and heating water.
- LPG burns cleaner than oil, producing fewer carbon emissions*, less smell and less smoke.

BEST FOR CATERING.

- Where there is no mains gas supply LPG is the preferred fuel for catering, offering more control and rapid cool-down.
- Installation costs are much lower compared to oil.
- LPG burns cleaner than oil producing fewer carbon emissions*, less smell and less smoke which means easily cleaned components.

WHY CALOR?

- The largest LPG delivery fleet.
- UK's largest LPG storage facilities.
- Over 70 years experience providing LPG solutions.
- Calor's predictive top up delivery service and telemetry monitoring means you should never run out of gas.
- Quite simply an unrivalled service.